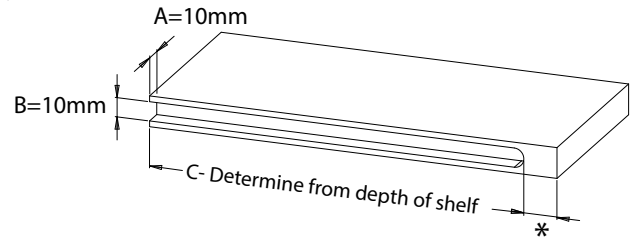


One set shown. Supply pack contains two sets. Suitable to install shelves 215mm (8.5") to 600mm (23.6") wide.

Material	High Strength Reinforced Nylon
Colour	Black
Fixing Method	6G Screws (x8)

## Shelf Recessed Mount

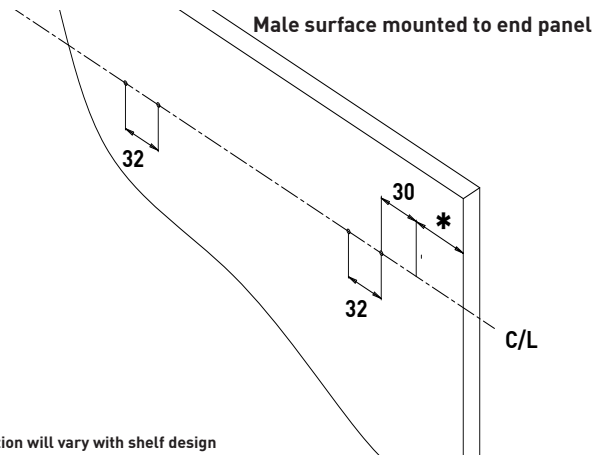
1



\* start position will vary with shelf design

Determine starting position from front edge of shelf to make 10 mm router cut (\*). The (\*) dimension must remain constant on both shelf and end panel for shelf to finish flush.

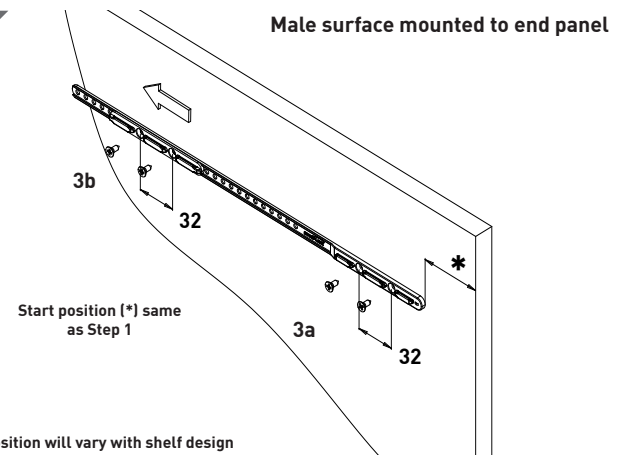
2



\* start position will vary with shelf design

Using a center line for shelf location, on end panel, mark the starting position (\*). Next mark 30mm to the first set of holes as shown above. The position of the second set of holes will be determined by the depth of the shelf.

3



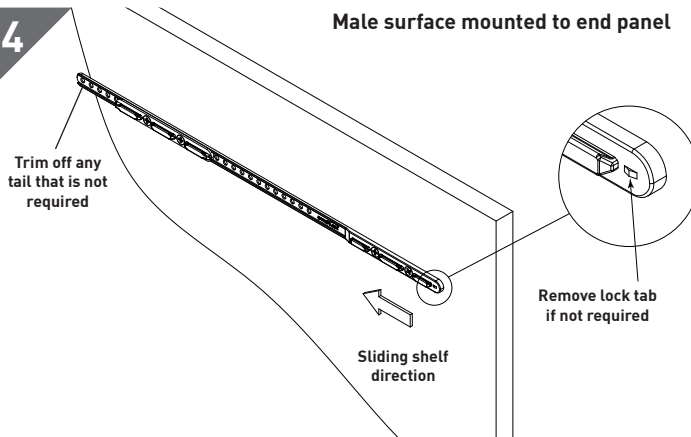
Start position (\*) same as Step 1

\* start position will vary with shelf design

3a. First fix the male strap in place with screws, using the marked center line.

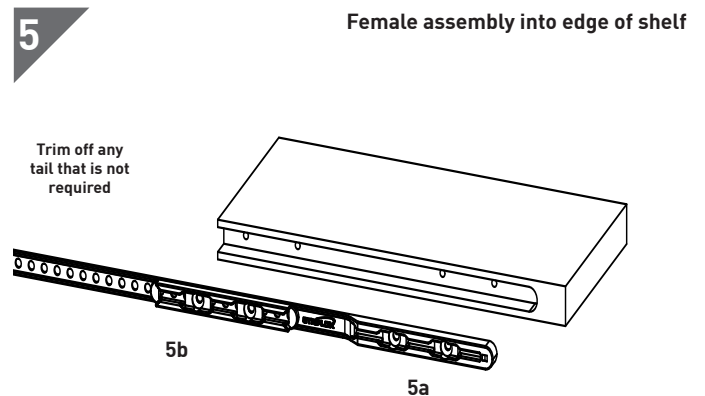
3b. Next install the male slider. Slide it along the strap to suit the depth of the shelf being used, and fix with screws.

4



Remove locking tab if not required and trim off the excess strap that protrudes past the end of the panel.

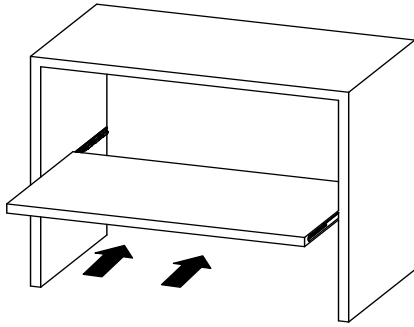
5



5a. Screw the female strap in place in the routed edge of the shelf. (Pilot holes are recommended for all screws).

5b. Next install female slider. Slide it along the strap the same number of holes as in step 3. Next trim off any excess strap that is longer than the shelf.

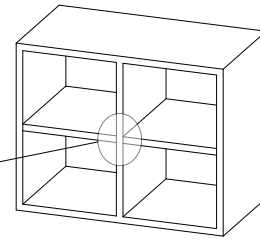
6



Insert shelf and push in until locked in position and flush with front edge.

6a

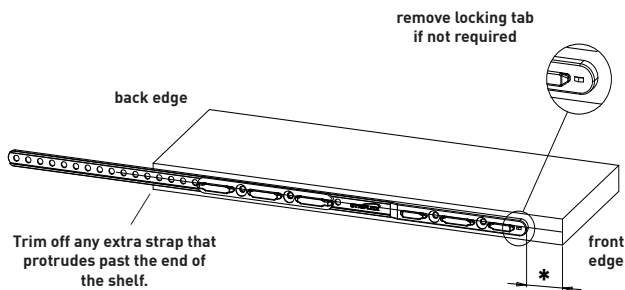
\* dimension must be staggered by at least 12.7mm (1/2")



If you are mounting shelves horizontal to each other you will have to stagger your starting position (\*) by 12.7mm (1/2") so that the mountings screws clear each other.

## End Panel Recessed

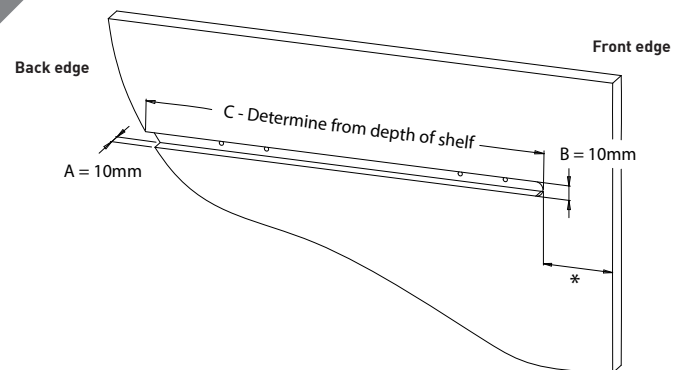
1



\* start position will vary with shelf design

Using a center line on the edge of the shelf and having a starting position (\*) screw in the male strap with the tail towards the back of the shelf. Install the male slider in the correct position and screw in place. Trim off extra strap.

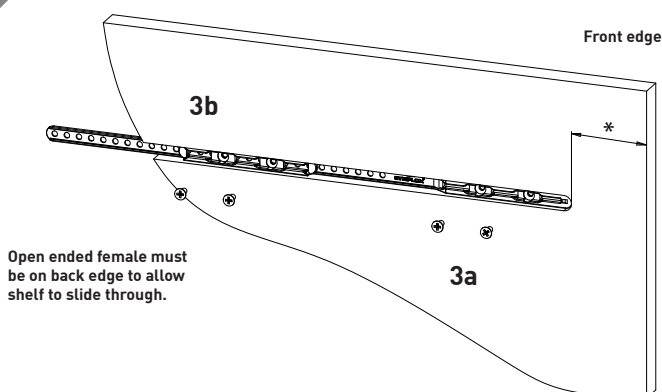
2



\* start position will vary with shelf design

Using a centerline on the edge of the panel, router a slot from back edge of panel stopping at the desired starting position of the shelf (\*).

3

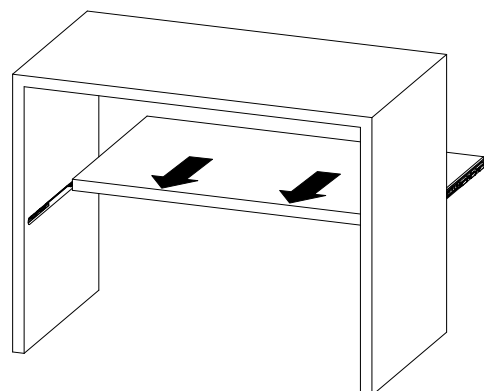


Open ended female must be on back edge to allow shelf to slide through.

\* start position will vary with shelf design

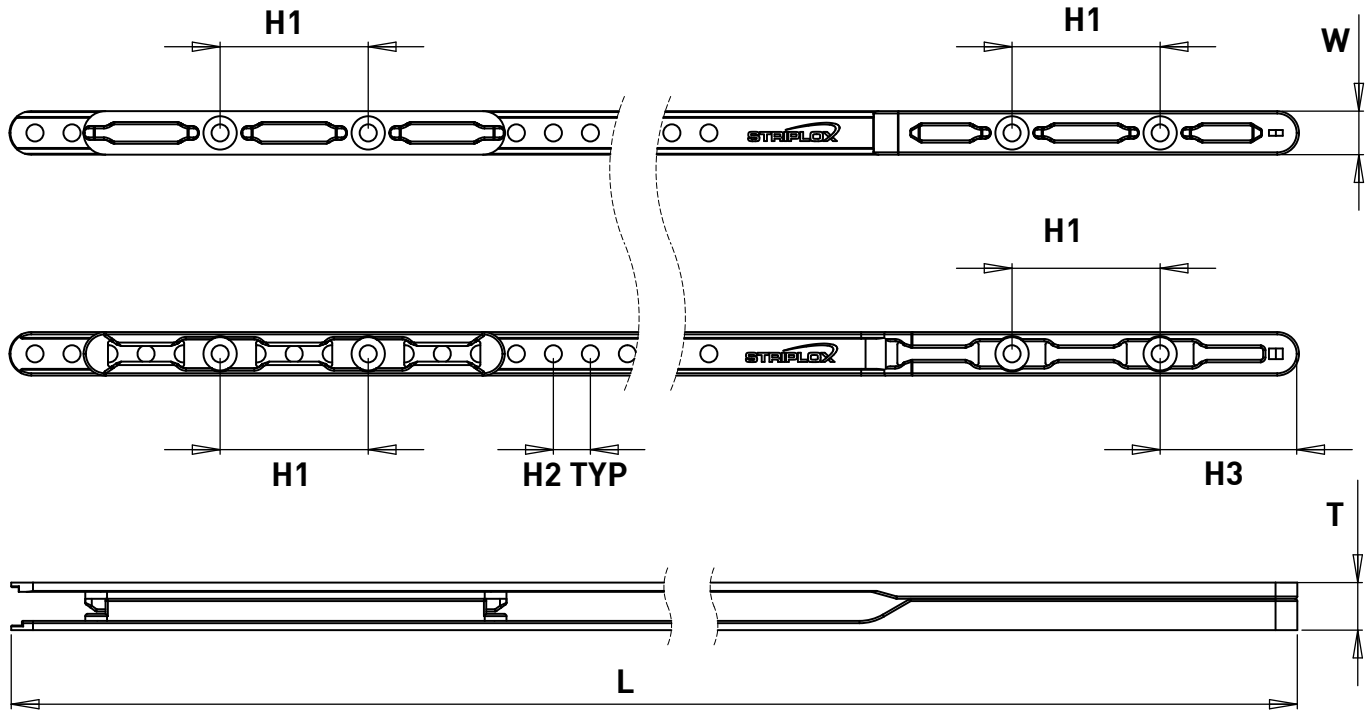
3a First fix the female strap into router slot with the tail at the back of the panel, and screw into position.  
3b Next install the female slider. Slide it along the strap to the same position as in step 1. Trim off excess strap.

4



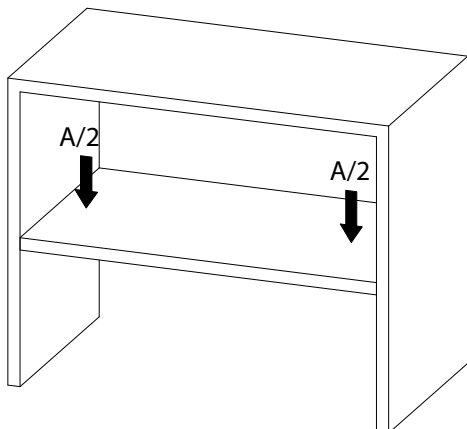
Insert shelf from back and push forward until locked in position and flush with front edge of frame.  
Note: For shelves mounted horizontally to each other see step 2a.

## Dimensions



Units	W	L	T	H1	H2	H3
Metric (mm)	9.4	349	10.3	32	8	29.5
Imperial (in)	0.37	13.74	0.41	1.26	0.31	1.16

## Load Capacity



Load Point	Indic. Load Capacity
A	510 kg /1120 lbs

Ensure sufficient screw embedment in substrate.

Striplox products are designed and tested for a range of applications. Product use is subject to variable materials and conditions. Technical information and load capacities are a guide only without warranty. Joinlox will not be liable for any subsequent damage to, or loss from, the use of these products or this information.

Visit [www.striplox.com](http://www.striplox.com) or call 1800 JOINLOX to find out more about these installation aids.

Striplox™ and Joinlox® are trademark and patent protected internationally.

Installation Guide Shelflox - V1.0