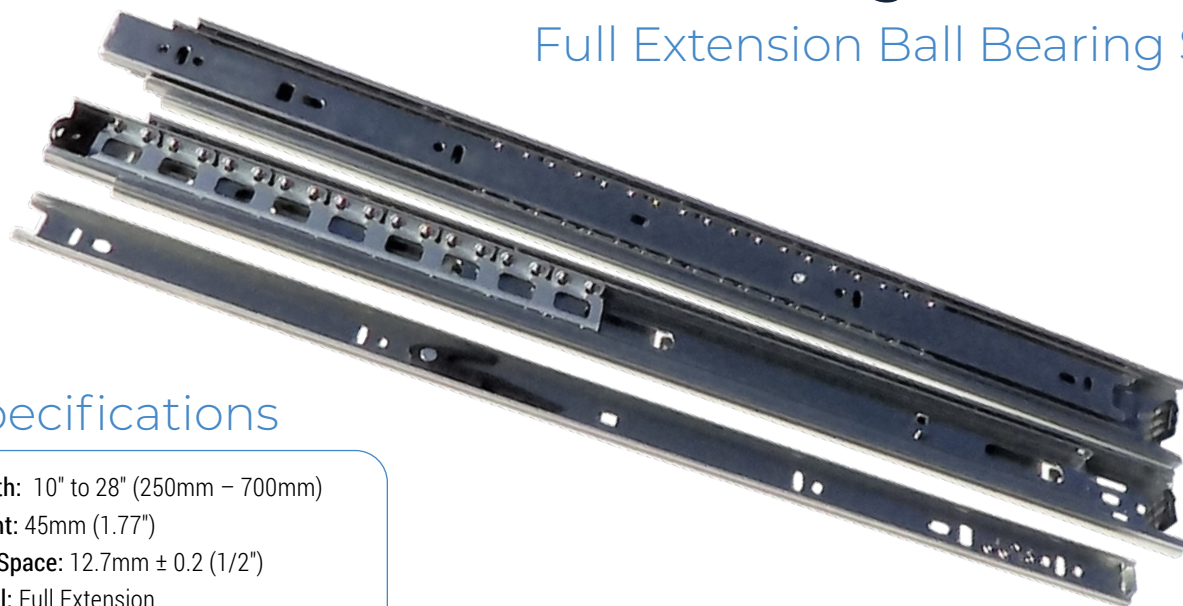




CGS3 Ball Bearing Slide Series

Full Extension Ball Bearing Slides



Specifications

Length: 10" to 28" (250mm – 700mm)

Height: 45mm (1.77")

Side Space: 12.7mm \pm 0.2 (1/2")

Travel: Full Extension

Mount: Side-Mount

Load: 45kg / 100lb Pair (Max)

Disconnect: Lever Disconnect

Finish: Zinc Plated

Material: Cold Rolled Steel

Packaging: 10 Pair / Carton



Features

- Heavy Gauge Zinc Plated Steel Construction
- Front Lever Disconnect
- 32mm Hole Pattern
- Ball Bearing Carriage Hold Out Feature
- 1/2" Side Clearance
- 100lb. KCMA Tested Dynamic
- BIFMA Tested/Approved
- Cabinet and drawer members pre-separated for easy installation
- Zinc Plated Steel Rear Mounting Brackets

Applications

- Kitchen & Bath Cabinets
- Store Fixtures
- Architectural Millwork
- Office Furniture
- Medical Equipment Carts & Storage Racks
- Carts & Storage Racks
- Manufactured Housing



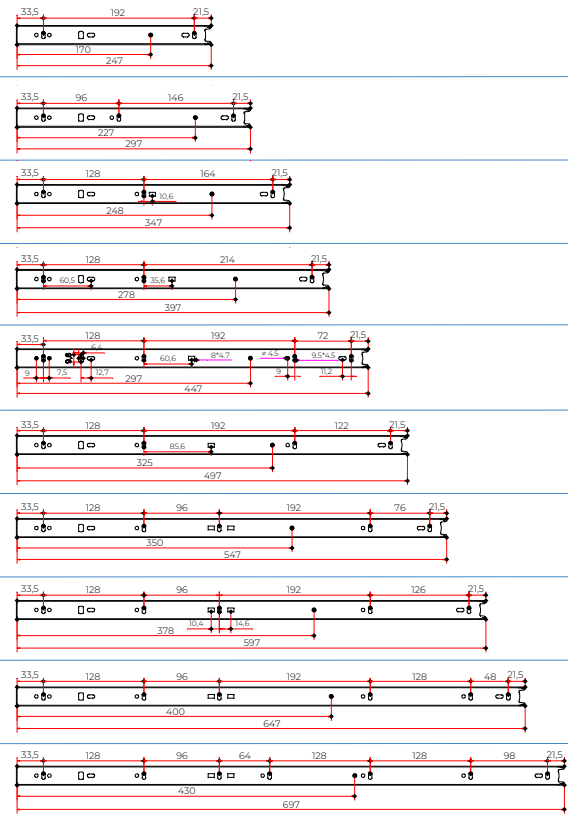
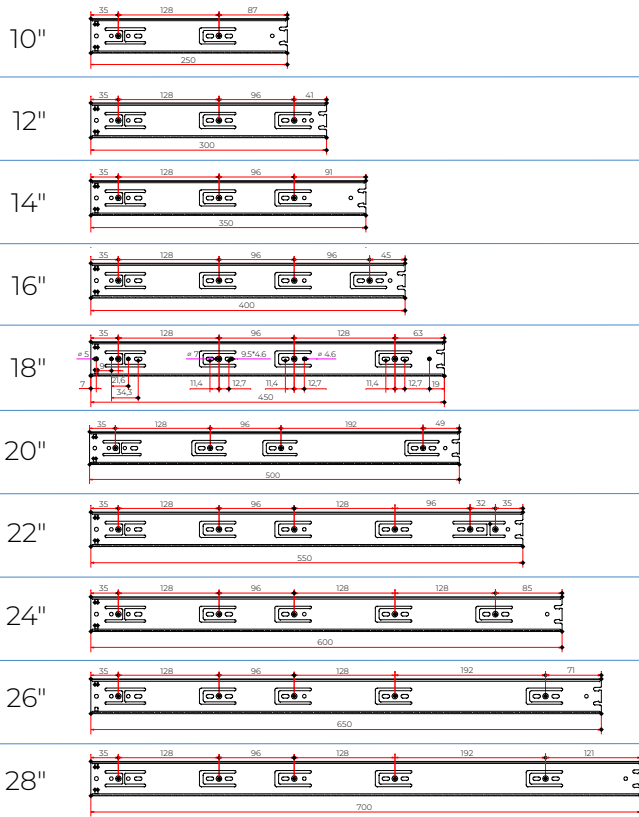
Full Extension Slide

Full Extension Ball Bearing Slides



Cabinet Members

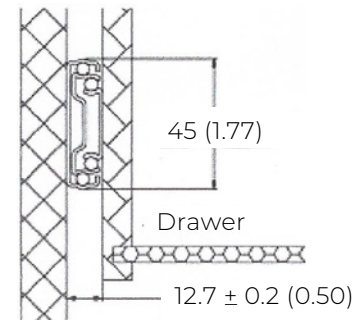
Drawer Members



Ordering

Cabinet

Item	Description	Carton Quantity
280-3S250	250 mm (10") 100 lb.	10
280-3S300	300 mm (12") 100 lb.	10
280-3S350	350 mm (14") 100 lb.	10
280-3S400	400 mm (16") 100 lb.	10
280-3S450	450 mm (18") 100 lb.	10
280-3S500	500 mm (20") 100 lb.	10
280-3S550	550 mm (22") 100 lb.	10
280-3S600	600 mm (24") 100 lb.	10
280-3S650	650 mm (26") 100 lb.	10
280-3S700	700 mm (28") 100 lb.	10
280-1020	Rear Mounting Brackets	100



distributed by



<https://www.atlanticplywood.com/>